

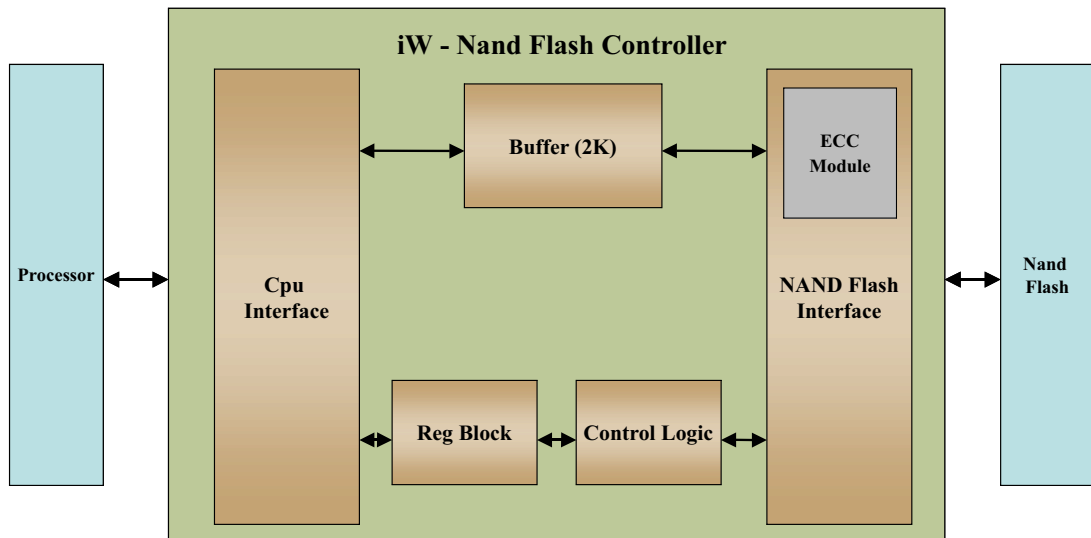
Overview

iW-Nand Flash Controller provides an easy interface to access Nand Flash Memory devices. This controller supports upto 32 GB Nand Flash memory.

Features

- ✘ Generic memory mapped interface
- ✘ Interrupt to processor on controller status
- ✘ Supports both 8 bit or 16 bit nand interface
- ✘ Supports up to 32GB nand flash
- ✘ Supports 2Kbytes block size
- ✘ Data buffer (2112 bytes) provided for ease of data read / write
- ✘ Optional ECC module
- ✘ 2 bit error detection and 1 bit error correction in hardware
- ✘ 12 ECC bytes per page
- ✘ Programmable access time towards Nand Flash
- ✘ Generic cpu interface which can be customized to various interfaces like synchronous/asynchronous or 8/16/32/64 bit or PCI etc
- ✘ Supports Samsung and Micron Nand Flash

Block Diagram



Core Benefits

- ✘ Eases SOC integration
- ✘ Configurable for ease of use
- ✘ Simple design makes it easier to integrate in many FPGA families

Core Applications

- ✘ Used as Host controller for Nand Flash Memory Device

Deliverables

- ✘ Technical Specification
- ✘ RTL Verilog Synthesizable Code
- ✘ Comprehensive Test Environment
- ✘ Technical Support and Maintenance

About Us

iWave Systems Technologies is an embedded Hardware and Software Turnkey Design Services focused on providing integrated solutions for developing innovative products and systems in the areas of Communication, Consumer Electronics and Multimedia. iWave offers complete turnkey solutions for systems engineering and product development.

Contact Us

India: iWave Systems Technologies Pvt. Ltd., 7/B, 29th Main, BTM Layout 2nd Stage, Bangalore 560 076. INDIA

Ph : +91-80-26683700, 26786245, Fax : +91-80-26685200

Email : mktg@iwavesystems.com, Web : www.iwavesystems.com

Japan: iWave Japan, Inc. 8F Kannai Sumiyoshi Building 3-29, Sumiyoshi-cho, Naka-ku, Yokohama Kanagawa, Japan.

Ph : +81-45-227-7626, Fax : +81-45-227-7646, Email : info@iwavejapan.co.jp, Web : www.iwavejapan.co.jp